



**CREATIVE
CONCRETE**
Innovation in concrete since 1999

Ballinamere, Tullamore, Co. Offaly.

R35 P866

Tel: 057 9355808

Fax: 057 9355558

Email: info@creativeconcrete.ie

Website: www.creativeconcrete.ie

MANUFACTURES OF:

Approved Utility Chambers - ESB Mini-Pillar Vault -

Eir-Virgin Media - Public Lighting - TV / CCTV.

Irish Water - FLORITE Private Side Inspection Chamber,

Sluice Valves, Fire Hydrant and Air Valve Chamber.

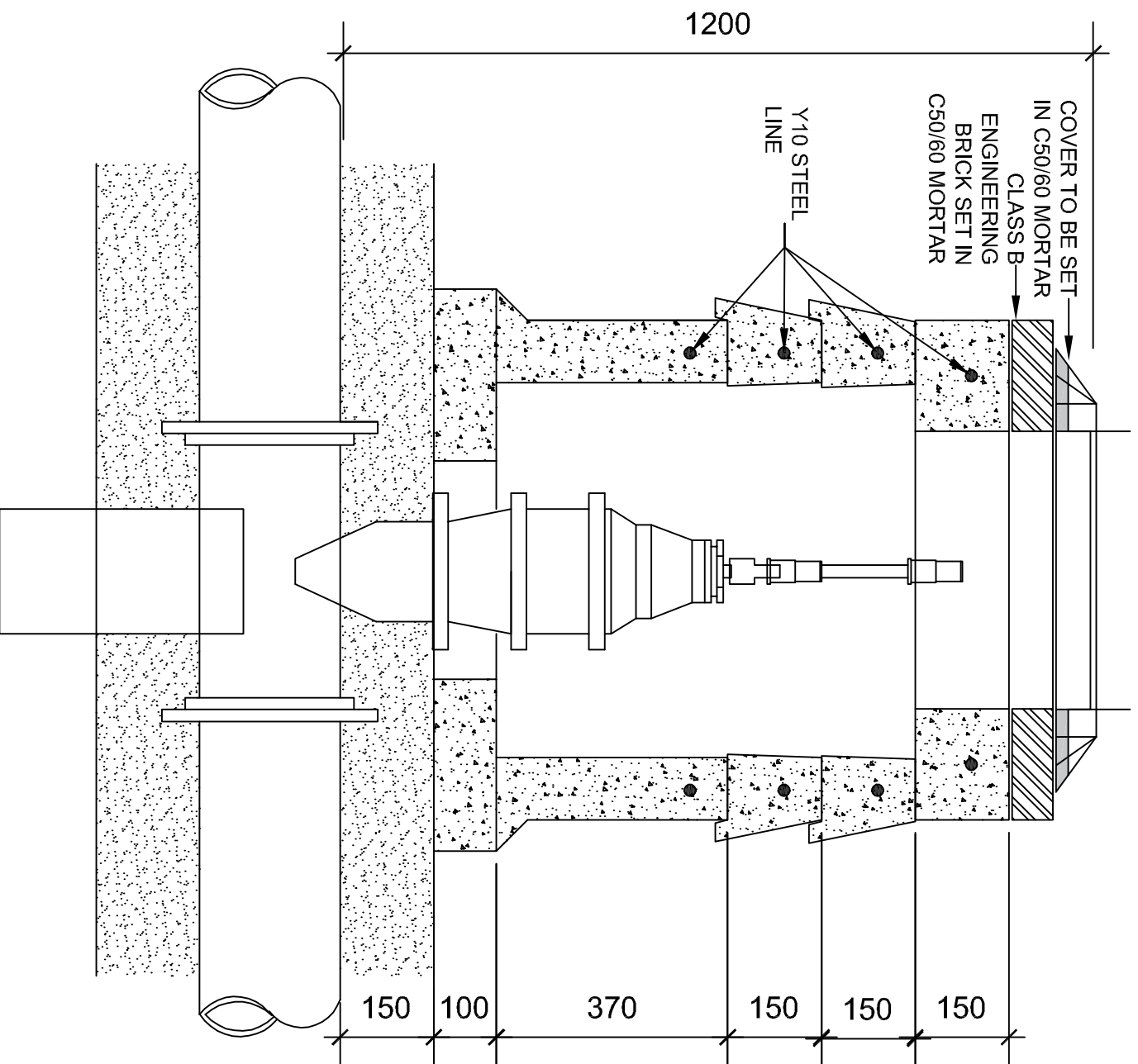
**SLUICE VALVE
CHAMBER
STD-W-15**

APPROX. WEIGHT: 730 Kg

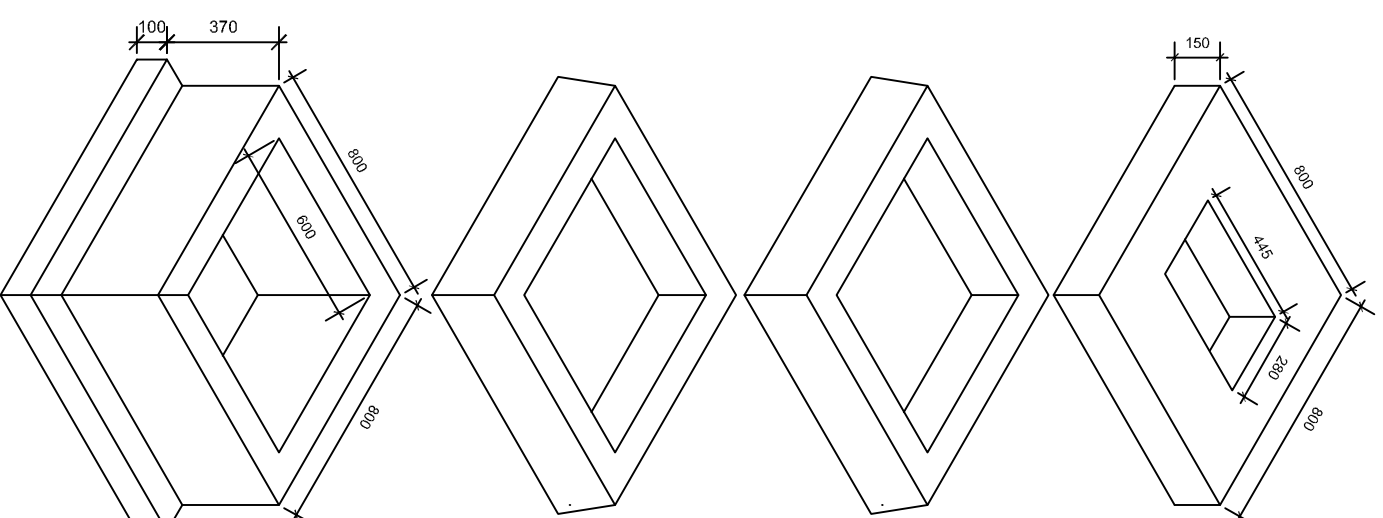
BASE - 185 Kg,

CHAMBER - 360 Kg,

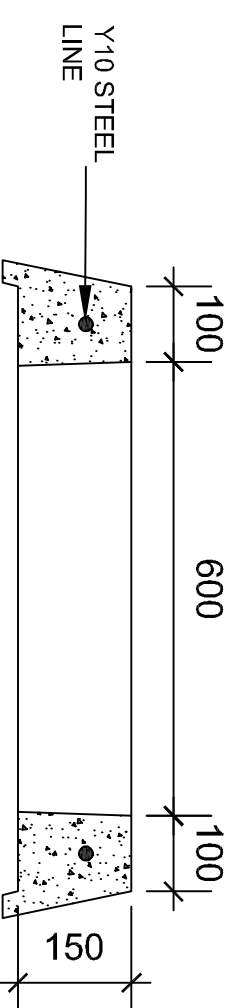
COVER - 185 Kg.



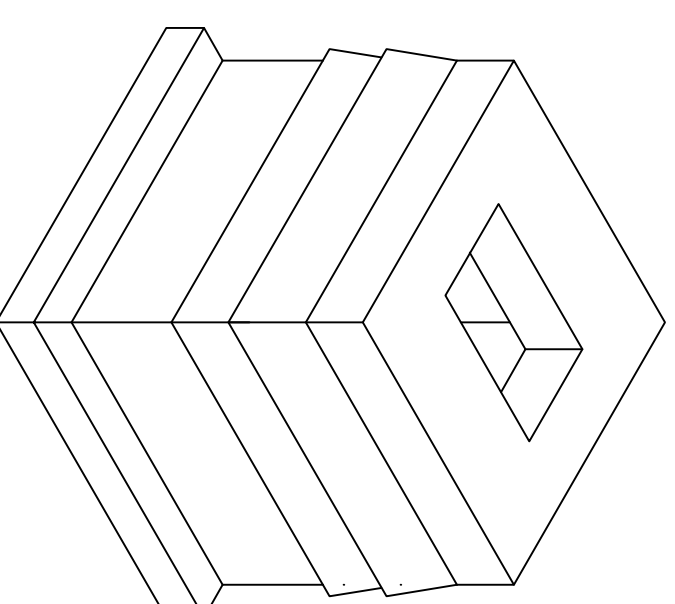
SECTION VIEW: TRAFFICED MIN. 1200mm.



BASE AND CHAMBER CAST MONOLITHIC



RISER SECTION VIEW



THE INFORMATION CONTAIN IN THIS DRAWING WAS UP TO DATE AT TIME OF GOING TO PRINT. PROFILES, SIZES, WEIGHTS ARE GIVEN AS AN INDICATION ONLY. CREATIVE CONCRETE RESERVES THE RIGHT TO MODIFY THESE AT ANY TIME WITHOUT NOTICE.