



**CREATIVE
CONCRETE**

Innovation in concrete since 1999

Ballinamere, Tullamore, Co. Offaly.

R35 P866

Tel: 057 9355808

Fax: 057 9355558

Email: info@creativeconcrete.ie

Website: www.creativeconcrete.ie

MANUFACTURES OF:

Approved Utility Chambers - ESB Mini-Pillar Vault -

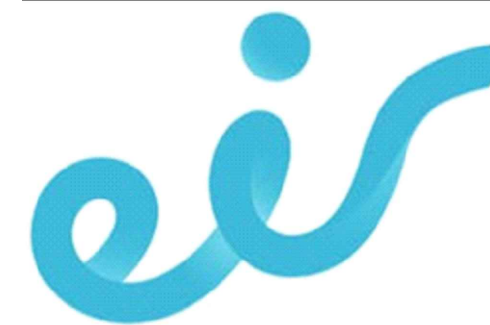
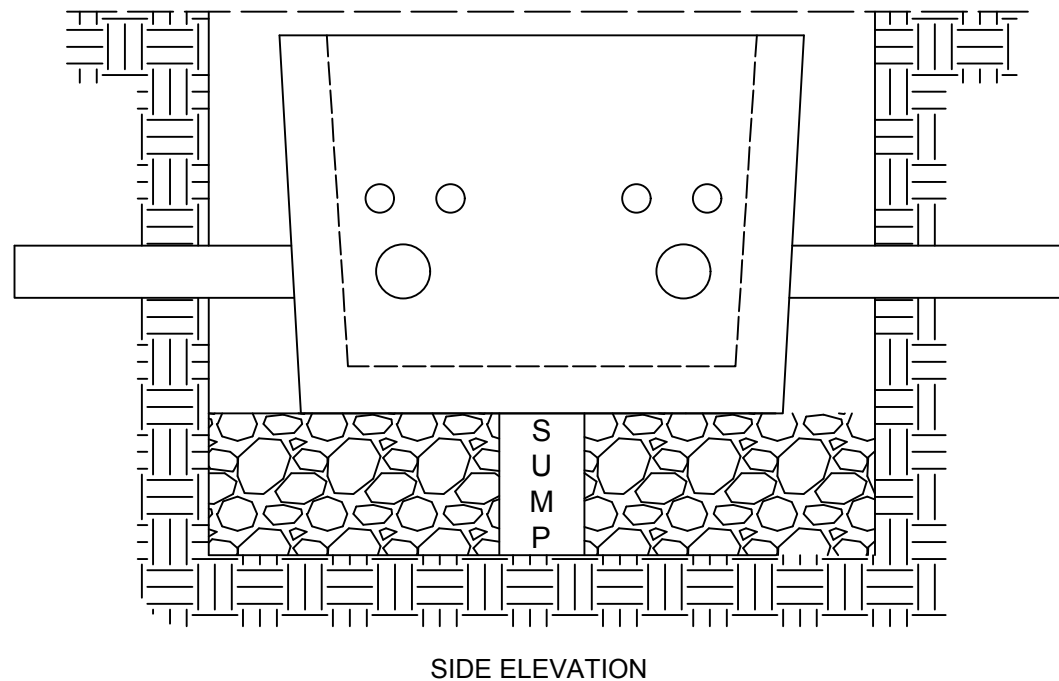
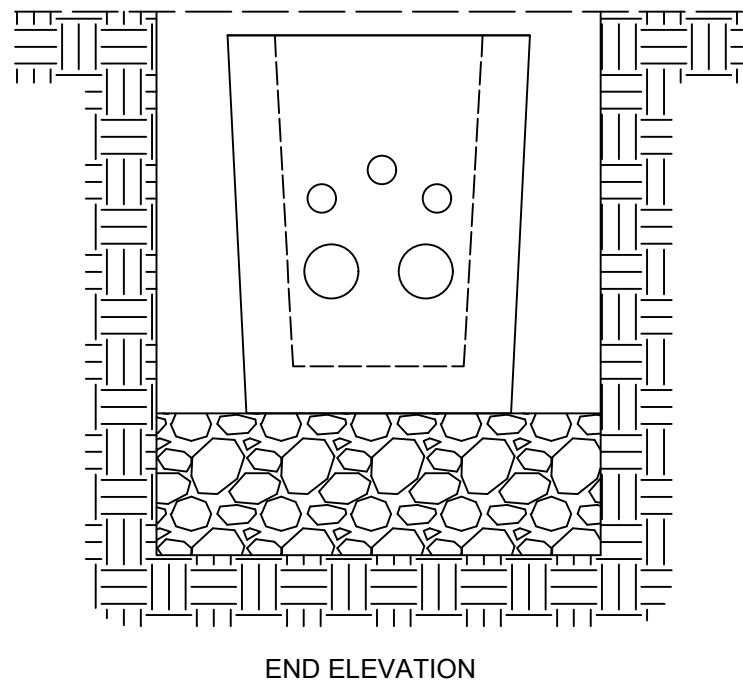
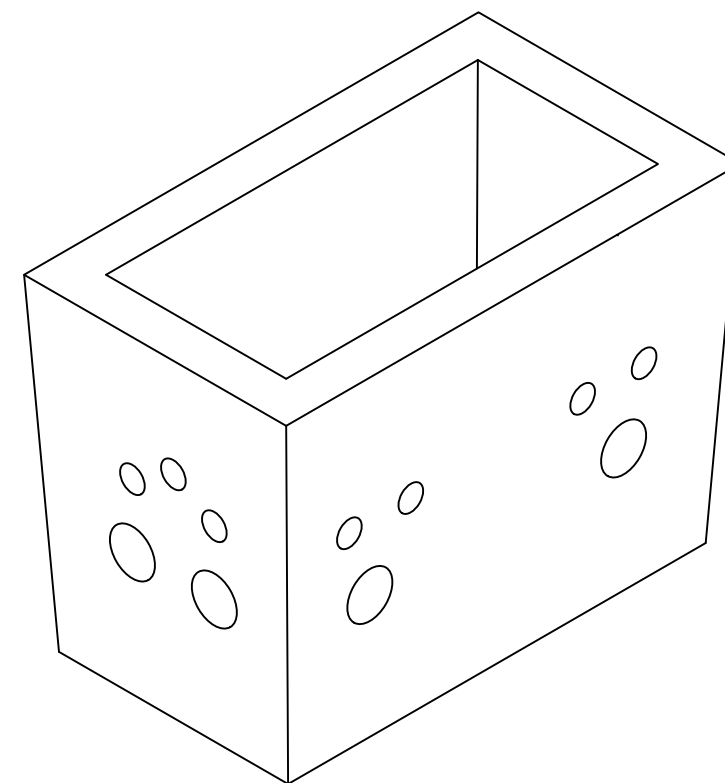
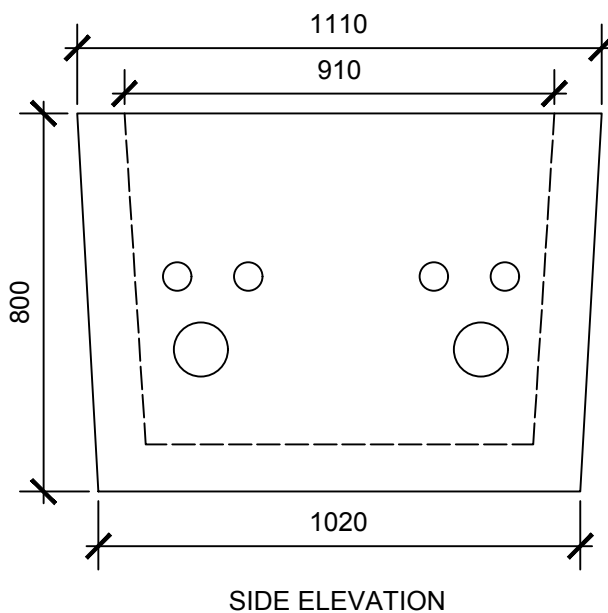
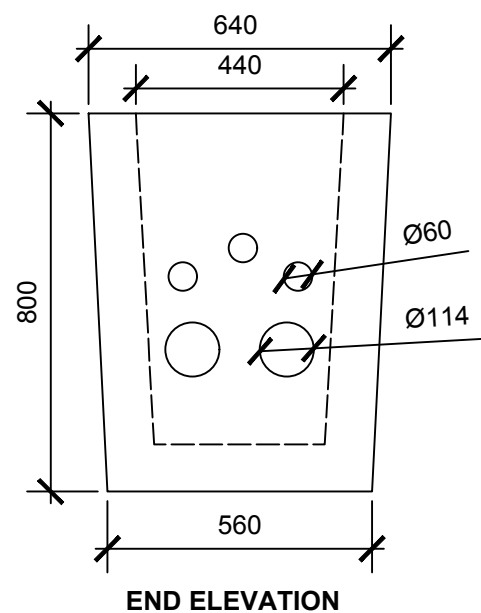
Eir-Virgin Media - Public Lighting - TV / CCTV.

Irish Water - FLORITE Private Side Inspection Chamber,

Sluice Valves, Fire Hydrant and Air Valve Chamber.

**EIR JB4
JUNCTION BOX**

**APPROX. WEIGHT:
580 Kg**



THE INFORMATION CONTAIN IN THIS DRAWING WAS UP TO DATE AT TIME OF GOING TO PRINT. PROFILES, SIZES, WEIGHTS ARE GIVEN AS AN INDICATION ONLY. **CREATIVE CONCRETE** RESERVES THE RIGHT TO MODIFY THESE AT ANY TIME WITHOUT NOTICE.