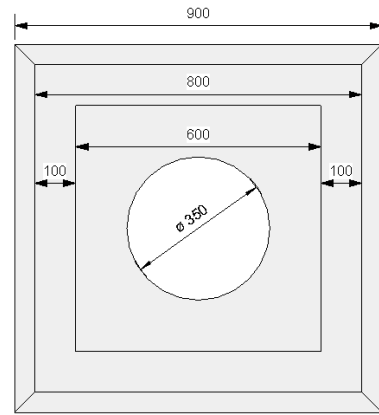
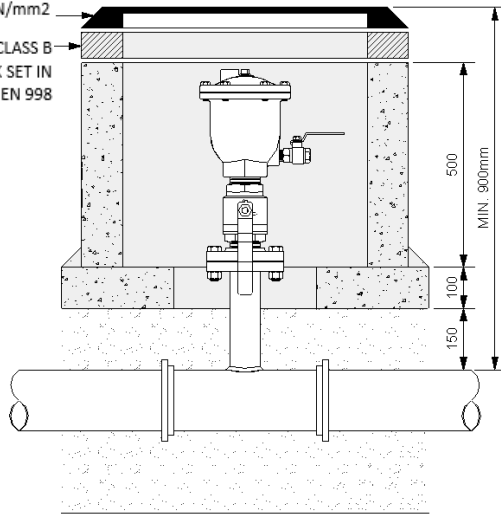




**CREATIVE
CONCRETE**
Innovation in concrete since 1999

COVER TO BE SET IN CEMENTITIOUS
EPOXY RESIN/POLYESTER MORTAR
30N/mm²

1 TO 2 COURSES OF CLASS B
SOLID ENGINEERING BRICK SET IN
M30 MORTAR TO IS EN 998



CONFIDENCE IN CONCRETE



TECHNICAL DATA	
Mechanical Resistance	Vertical Strength 400kN
Approx Weight	530KG
Opening Size	(LN x WN) 600mm, 600mm Square
Watertightness	No Leakage of joint or unit at 30kPa
Durability	Adequate for normal serviceability conditions

FEATURES	
Integrated Base Opening	✓
Manufactured to the highest standards.	✓
Steel Reinforced	✓
Integrated Steps	
Integrated Lifting Sockets	✓
REV_05	

All Products are manufactured in compliance with EN 1917:2002&AC:2008 Concrete Manholes and Inspection Chambers Un-Reinforced, Steel, Fibre, And Reinforced. Profiles, sizes, weights are given as an indication only. The manufacturer reserves the right to modify these at any time without notice.

Concrete Chambers Ireland Ltd T/A Creative Concrete

